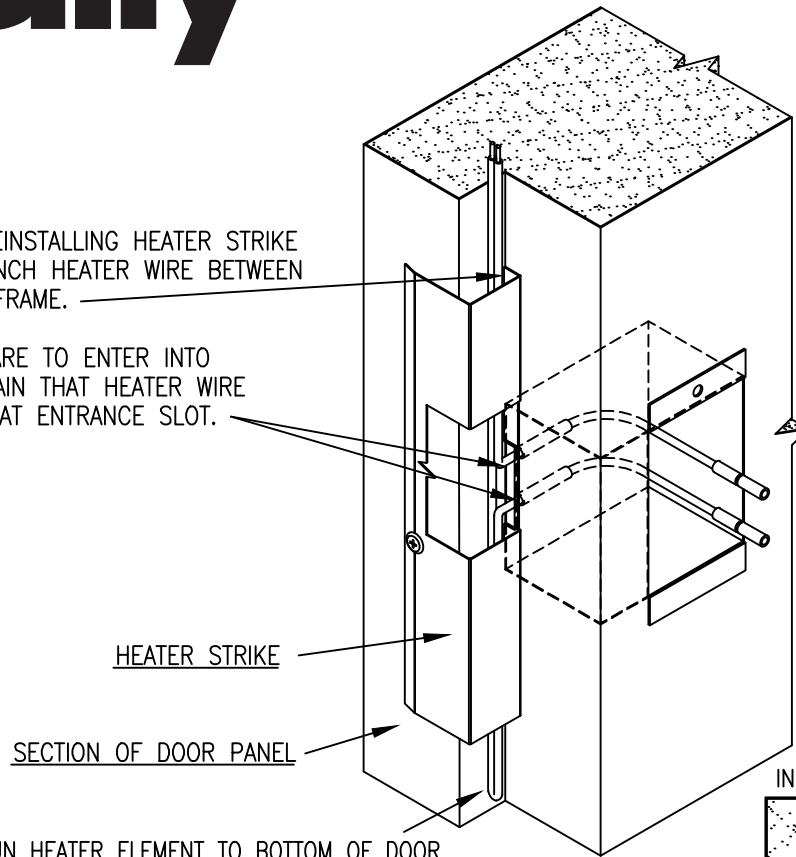
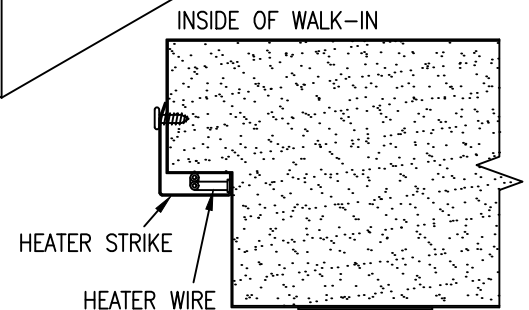


EXERCISE CAUTION WHEN REINSTALLING HEATER STRIKE MAKING CERTAIN NOT TO PINCH HEATER WIRE BETWEEN HEATER STRIKE AND DOOR FRAME.

ONLY HEATER WIRE LEADS ARE TO ENTER INTO ELECTRICAL BOX. MAKE CERTAIN THAT HEATER WIRE DOES NOT OVERLAP ITSELF AT ENTRANCE SLOT.



RUN HEATER ELEMENT TO BOTTOM OF DOOR FRAME AND MAKE LOOP AT THE BOTTOM. (SHOWN WITHOUT SILICONE).



HEATER WIRE & STRIKE  
SECTION VIEW

